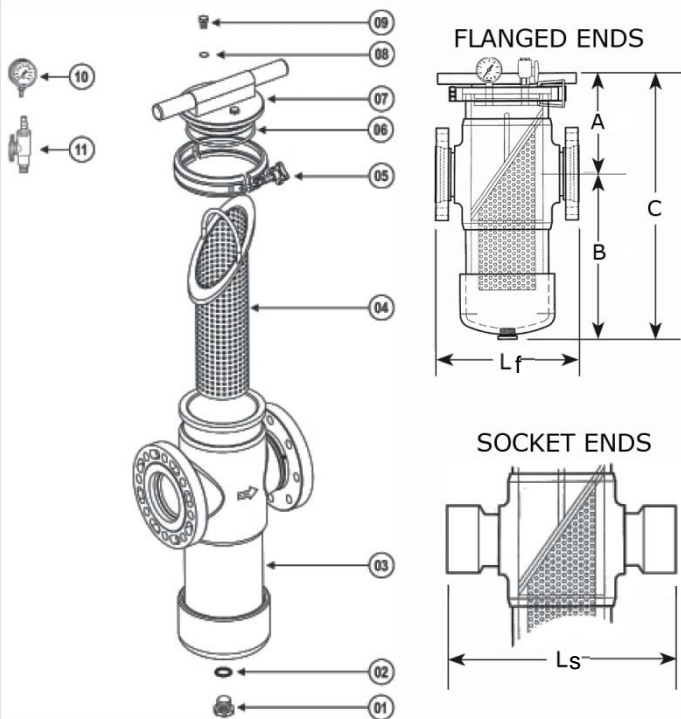


# STAYFLOW STRAINERS

## BPF - BPS

BASKET STRAINER – FLANGE OR SOCKET  
PVC OR CPVC



### PRESSURE / TEMPERATURE

SIZE (in)	RATINGS			
	PVC		CPVC	
	Pressure	Max Temp	Pressure	Max Temp
1/2 TO 8	150 psi	140 F	150 psi	200 F
10 TO 12	50 psi	140 F	50 psi	200 F

\* The pressure listed is at 73F.

### PARTS LIST

ITEM	DESCRIPTION	MATERIAL
1	DRAIN PLUG	PVC / CPVC
2	DRAIN PLUG O-RING	EPDM / FKM
3	BODY	PVC / CPVC
4	STRAINER BASKET	PVC / CPVC / 316SS
5	BONNET CLAMP	316SS
6	BONNET O-RING	EPDM / FKM
7	BONNET	PVC / CPVC
8	PLUG O-RING	EPDM / FKM
9	GAUGE PORT PLUG	PVC / CPVC
10	PRESSURE GAUGE	0-160 PSI
11	PRES RELIEF VALVE	PVC / CPVC

### DIMENSIONS & WEIGHT

SIZE (in)	A	B	C	Lf	Ls	WT (lbs)	
	(in)	(in)	(in)	(in)	(in)	PVC	CPVC
1/2	4 1/4	5 5/16	9 9/16	9 1/4	5	3	3.3
3/4	4 1/4	5 5/16	9 9/16	9 15/16	4 13/16	3	3.4
1	4 1/4	5 5/16	9 9/16	10 7/16	4 3/8	3	3.5
1-1/4	7 7/8	10 1/4	18 1/8	8 9/16	7 9/16	3.2	3.6
1-1/2	7 7/8	10 1/4	18 1/8	8 3/4	8 1/8	3.5	3.8
2	7 7/8	10 1/4	18 1/8	8 3/4	8 5/8	11	11.5
2-1/2	7 7/8	10 1/4	18 1/8	8 3/4	8 3/8	12	13
3	8 3/4	13 13/16	22 9/16	11 5/8	11 5/8	25	26
4	8 3/4	17 5/16	26 1/16	12	13 1/2	26	27
6	10 9/16	18 7/8	29 7/16	17 1/8	17 7/8	59	61
8	11 9/16	24 1/2	36 1/16	20 1/2	22	94	96
10	16 5/8	27 1/8	43 3/4	26	24 1/16	200	210
12	17 3/16	34 7/8	52 1/16	28 1/8	26 1/4	230	240

### ENGINEERING SPECIFICATION

All thermoplastic Basket Strainers shall be fabricated from PVC Type I Cell Classification 12454 or CPVC Type IV Cell Classification 23447 material. All O-rings shall be EPDM or FKM. Standard strainer perforation shall be 1/8" or 3/32" with a minimum open area ratio of 6:1, or a specified perforation/mesh opening. Basket strainer shall have quick release clamp retained bonnet with safety nut, pressure release valve and safety pressure gauge. Unit shall be equipped with O-ring sealed drain plug at lower end. Sizes 1/2"-8" shall be pressure rated at 150psi, sizes 10"-12" 50psi water at 73F, as provided by Stayflow strainers.

### FLOW COEFFICIENTS

SIZE (in)	Cv	SIZE (in)	Cv
1/2	4.5	3	172
3/4	10	4	270
1	15	6	630
1 1/4	30	8	750
1 1/2	46	10	893
2	72	12	1063
2 1/2	110		