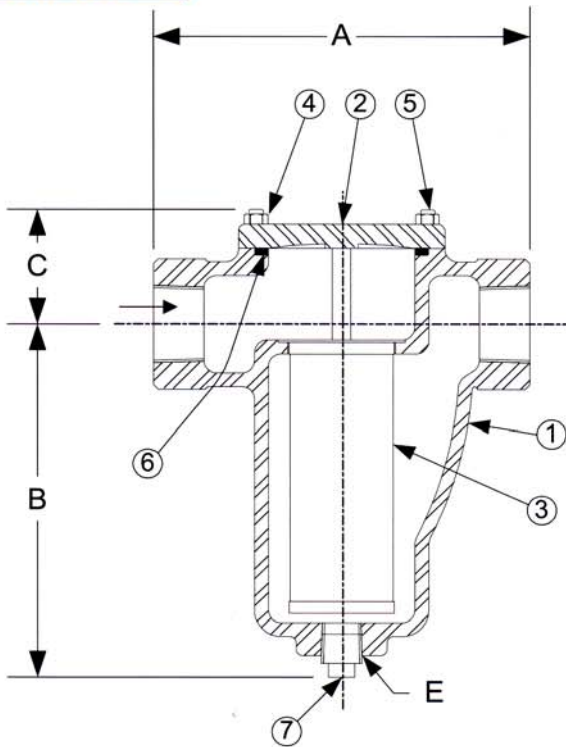


STAYFLOW STRAINERS DATA SHEET



BST1

Basket Strainer, 300 lb. Threaded
Cast 316 Stainless Steel (ASTM A 351, Grade CF8M)

PARTS LIST		
ITEM	DESCRIPTION	MATERIAL
1	BODY	STAINLESS STEEL (ASTM A 351, GRADE CF8M)
2	COVER	STAINLESS STEEL (ASTM A 351, GRADE CF8M)
3	BASKET	STAINLESS STEEL (304)
4	NUTS	STAINLESS STEEL (316)
5	STUDS	STAINLESS STEEL (316)
6	COVER GASKET	STAINLESS STEEL - SPIRAL WOUND (304)
7	PLUG	STAINLESS STEEL (316)

STANDARD SCREENS SUPPLIED

SIZE		SCREEN GAGE	SCREEN PERFORATION					
in	mm		FOR STEAM		OPEN AREA	FOR LIQUID		OPEN AREA
			in	mm		in	mm	
3/8 to 2	10 to 50	28	1/32	.8	29%	1/16	1.6	30%
2-1/2 to 3	65 to 80	26	3/64	1.2	33%	1/16	1.6	30%

Standard screens supplied are for **liquid service**, unless otherwise specified.
 Options: Other perforations, meshes, and screen materials are available.

SIZE		DIMENSIONS								WEIGHTS	
		A		B		C		E			
in	mm	in	mm	in	mm	in	mm	in	mm	lbs	kgs
3/8	10	4-9/16	116	4	102	3-1/8	79	3/8	10	6	3
1/2	15	4-9/16	116	4	102	3-1/8	79	3/8	10	6	3
3/4	20	4-9/16	116	4	102	3-1/8	79	3/8	10	6	3
1	25	5-5/16	135	4-7/8	124	3	76	3/8	10	9	4
1-1/4	32	6-5/16	160	6-1/2	165	4-1/8	105	1/2	15	14	6
1-1/2	40	6-5/16	160	6-1/2	165	4-1/8	105	1/2	15	14	6
2	50	8-1/4	210	7-7/8	200	4-3/4	121	3/4	20	27	12
2-1/2	65	9-5/8	245	8-3/4	222	4	102	1	25	34	15
3	80	11-1/4	286	11-3/8	289	5-7/8	149	1	25	60	27

Certified dimensional drawings are available upon request.
 †This table reflects only the nearest metric equivalents.

FLOW COEFFICIENTS

Size	C _v	Size	C _v	Size	C _v
3/8"	19.9	1"	19.9	2"	55.7
1/2"	19.9	1-1/4"	35.4	2-1/2"	88.5
3/4"	19.9	1-1/2"	35.4	3"	123.3

TOTAL SCREEN AREA

Size	(in ²)	Size	(in ²)	Size	(in ²)
3/8"	11.72	1"	19.17	2"	64.36
1/2"	11.72	1-1/4"	41.65	2-1/2"	67.60
3/4"	11.72	1-1/2"	41.65	3"	128.17

*See DETERMINING RATIOS on page S5 of the Strainer Information Section for calculating NET FREE AREA of the screen to inside pipe area.

PRESSURE vs. TEMPERATURE CHART

300# Threaded Cast 316 Stainless Steel (ASTM A 351, Grade CF8M)

