

STAYFLOW STRAINERS

DIF-T Duplex Cast Iron 125# Flanged Strainers



BILL OF MATERIALS

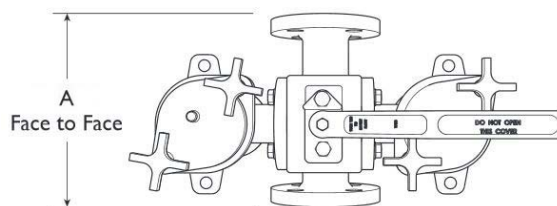
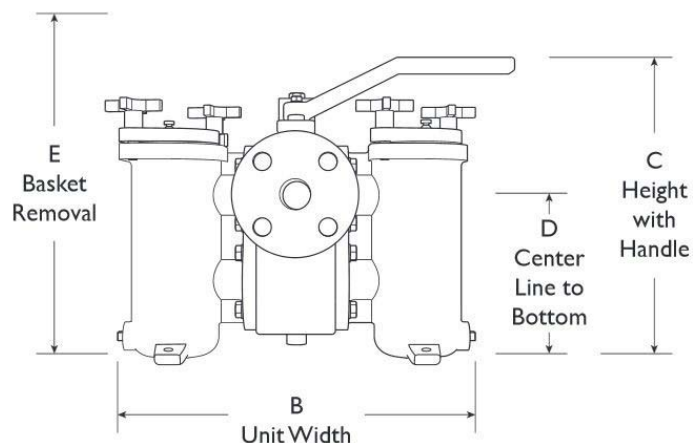
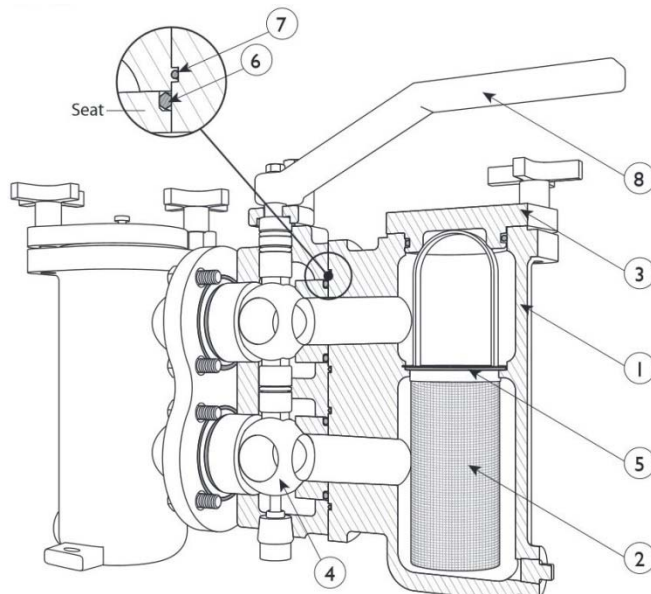
ITEM	DESCRIPTION	MATERIAL
1	Housing	Cast iron - ASTM A126 Gr. B
2	Straining Element	Stainless
3	Cover	Cast iron - ASTM A126 Gr. B
4	Ball	Stainless
5	O-ring Straining Element	Buna-N
6	Seat Seal	PTFE
7	Seals	Buna-N
8	Handle	Carbon Steel - Zinc Coated

PRESSURE RATING (psig) ANSI CLASS 125

W.O.G.	MAX LIQ.	STEAM	SEAL - MAX (F)	BODY - MAX (F)
200 @ 150 F	200 @ 150 F	N R	250 F	450 F

DEFAULT SCREEN SIZE (in)

Size	Liquid	Open Area	Steam	Open Area
1 - 4	1/16	41%	N R	N R



DIMENSIONS (in) / PERFORMANCE

SIZE	A	B	C	D	E	Cv	Wt. (lb)
1	7	12-15/16	11	5-13/16	15-3/8	14	47
1-1/4	9-3/8	15-1/8	14-1/4	8-5/16	21-5/16	19	74
1-1/2	9-3/8	15-1/8	14-1/4	8-5/16	21-5/16	24	74
2	10-5/8	18-3/8	17-3/4	10-3/4	26-3/8	42	122
2-1/2	13-1/2	22	22	13-3/4	35	68	237
3	13-1/2	22	22	13-3/4	35	105	238
4	16	26-7/8	25-1/4	15-7/8	41	180	374