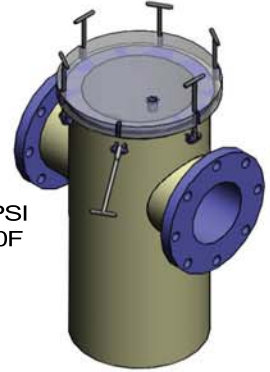
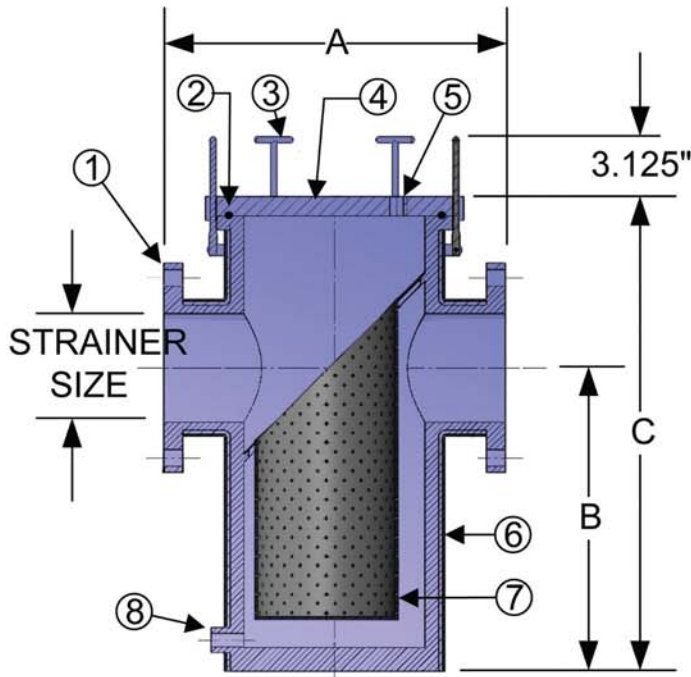


BFF-LTE50 STRAINERS

Fiberglass Reinforced Plastic (FRP) Molded Hair & Lint Strainers



PRESSURE RATING = 50 PSI
MAX TEMPERATURE = 140F



MATERIALS LIST

Item	Part	Material
1	Flange	PVC
2	Gasket	O-Ring
3	T-Handle	SS316
4	Cover	Cast Acrylic
5	Vent	1/2" PVC FPT
6	Body	FRP
7	Basket	1/8" Perf SS316
8	Drain	PVC NPT

ENGINEERING DATA & PART NUMBERS

QTY	Part Numbers	Strainer Size (Inches)	Face to Face A (Inches)	Center Line B (Inches)	Height C (Inches)	Drain NPT D (Inches)	Weight (LBS)	Notes
	BFFLTE500300	3	11	10-1/2	18	1/2	27	
	BFFLTE500400	4	13-3/4	11-5/8	20	1/2	31	
	BFFLTE500500	5	17	16	25	3/4	43	
	BFFLTE500600	6	18	16	25	3/4	45	
	BFFLTE500800	8	20	21-1/2	33	3/4	63	
	BFFLTE501000	10	22	23	37	1	82	
	BFFLTE501200	12	27-1/2	31-5/8	45-1/2	1	135	
	BFFLTE501400	14	35	32-1/2	47	1	168	

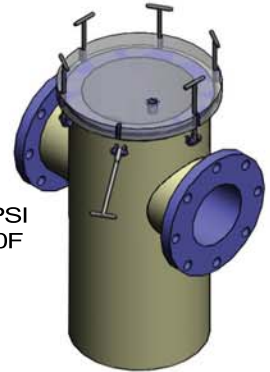
Please inquire for sizes 16" and up.

Strainers for Commercial Aquatic Applications

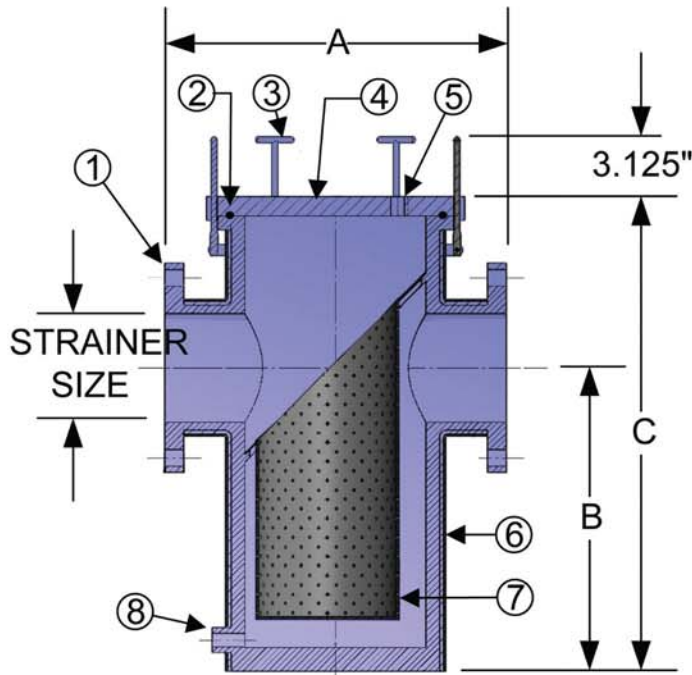
BFF-LTE Strainers - a non-metallic housing in-line basket strainer engineered for commercial aquatic applications such as swimming pools, water parks, zoos, and aquariums. Wetted surfaces are comprised of FRP (Fiberglass Reinforced Plastic with High Quality Vinyl Ester Resin), PVC and EPDM. This composite construction offers the highest corrosion resistance along with the structural integrity to project a 20-30 lifespan. FRP has excellent electrical insulation properties. The standard basket is SS316 - 1/8" perforations, but many options exist for clients requiring a different filtration level or material of construction. Contact Fluidtrol if custom configurations or dimensions are required.

BFF-LTE75 STRAINERS

Fiberglass Reinforced Plastic (FRP) Molded Hair & Lint Strainers



PRESSURE RATING = 75 PSI
MAX TEMPERATURE = 140F



MATERIALS LIST

Item	Part	Material
1	Flange	PVC
2	Gasket	O-Ring
3	T-Handle	SS316
4	Cover	FRP
5	Vent	1/2" PVC FPT
6	Body	FRP
7	Basket	1/8" Perf SS316
8	Drain	PVC NPT

ENGINEERING DATA & PART NUMBERS

QTY	Part Numbers	Strainer Size (Inches)	Face to Face A (Inches)	Center Line B (Inches)	Height C (Inches)	Drain NPT D (Inches)	Weight (LBS)	Notes
	BFFLTE750300	3	11	10-1/2	18	1/2	34	
	BFFLTE750400	4	13-3/4	11-5/8	20	1/2	39	
	BFFLTE750500	5	17	16	25	3/4	55	
	BFFLTE750600	6	18	16	25	3/4	57	
	BFFLTE750800	8	20	21-1/2	33	3/4	82	
	BFFLTE751000	10	22	23	37	1	108	
	BFFLTE751200	12	27-1/2	31-5/8	45-1/2	1	185	
	BFFLTE751400	14	35	32-1/2	47	1	220	

Please inquire for sizes 16" and up.

Strainers for Commercial Aquatic Applications

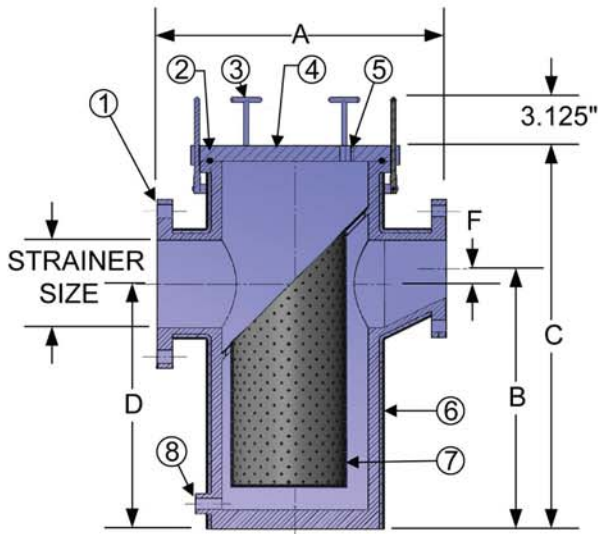
BFF-LTE Strainers - a non-metallic housing in-line basket strainer engineered for commercial aquatic applications such as swimming pools, water parks, zoos, and aquariums. Wetted surfaces are comprised of FRP (Fiberglass Reinforced Plastic with High Quality Vinyl Ester Resin), PVC and EPDM. This composite construction offers the highest corrosion resistance along with the structural integrity to project a 20-30 lifespan. FRP has excellent electrical insulation properties. The standard basket is SS316 - 1/8" perforations, but many options exist for clients requiring a different filtration level or material of construction. Contact Fluidtrol if custom configurations or dimensions are required.

BFF-LTE50R STRAINERS

Fiberglass Reinforced Plastic (FRP) Molded Hair & Lint Strainers



PRESSURE RATING = 50 PSI
MAX TEMPERATURE = 140F



MATERIALS LIST

Item	Part	Material
1	Flange	PVC
2	Gasket	O-Ring
3	T-Handle	SS316
4	Cover	Cast Acrylic
5	Vent	1/2" PVC FPT
6	Body	FRP
7	Basket	1/8" Perf SS316
8	Drain	PVC NPT

ENGINEERING DATA & PART NUMBERS

QTY	Part Numbers	Strainer Size (Inches)	Face to Face A (Inches)	Effluent Center Line B (Inches)	Height C (Inches)	Influent Center Line D (Inches)	Weight (LBS)	Notes
	RSW116103231	3 x 2	13	11	18	10-1/2	28	
	RSW116104331	4 x 3	15-3/4	12-1/8	20	11-5/8	32	
	RSW116106331	6 x 3	20-3/4	17-1/2	25	16	45	
	RSW116106431	6 x 4	21	17	25	16	46	
	RSW116106531	6 x 5	23	16-1/2	25	16	47	
	RSW116108331	8 x 3	25-3/4	24	33	21-1/2	64	
	RSW116108431	8 x 4	26-1/8	23-1/2	33	21-1/2	65	
	RSW116108531	8 x 5	28	23	33	21-1/2	65	
	RSW116108631	8 x 6	28	22-1/2	33	21-1/2	67	
	RSW116110431	10 x 4	29-5/8	26	37	23	82	
	RSW116110531	10 x 5	29-5/8	25-1/2	37	23	83	
	RSW116110631	10 x 6	29-5/8	25	37	23	84	
	RSW116110831	10 x 8	29-1/2	24	37	23	87	
	RSW116112631	12 x 6	33-1/8	34-5/8	45-1/2	31-5/8	138	
	RSW116112831	12 x 8	32-3/4	33-5/8	45-1/2	31-5/8	141	
	RSW1161121031	12 x 10	32-3/4	32-5/8	45-1/2	31-5/8	145	
	RSW116114631	14 x 6	42-1/2	36-1/2	47	32-1/2	168	
	RSW116114831	14 x 8	42-1/2	35-1/2	47	32-1/2	171	
	RSW1161141031	14 x 10	41-1/2	34-1/2	47	32-1/2	176	
	RSW1161141231	14 x 12	40-1/2	33-1/2	47	32-1/2	180	

Please inquire for larger sizes.